



STAINLESS STEEL FOLDING SHELF





STAINLESS STEEL FOLDING SHELF

Characteristics:

- Pastore & Lombardi folding shelf in stainless steel is simple to assemble and gives extreme flexibility of use.
- Effective cleaning is possible to ensure a good hygiene.
- Varied dimensions of modules allow to obtain the required length of the shelf.
- Folding of the planes is very simple thanks to the support arms that rotate up to 90 degrees. In vertical position the shelf occupies a reduced space.
- The distance between shelves is adjustable for every necessity, with a minimum stroke of 100 mm.
- For the shelves not requiring vertical adjustment, a 110 mm pillar is sufficient.
- For the shelves assembled to the wall by glueing is available an aluminium pillar with 2 m height
- A special shim in the ends of the shelves ensures the stability and containing of the load.
- The edges of the system are protected by rubber inserts.
- Every module of 1000x500 mm. bears a static load of 100 Kg

Assembly :

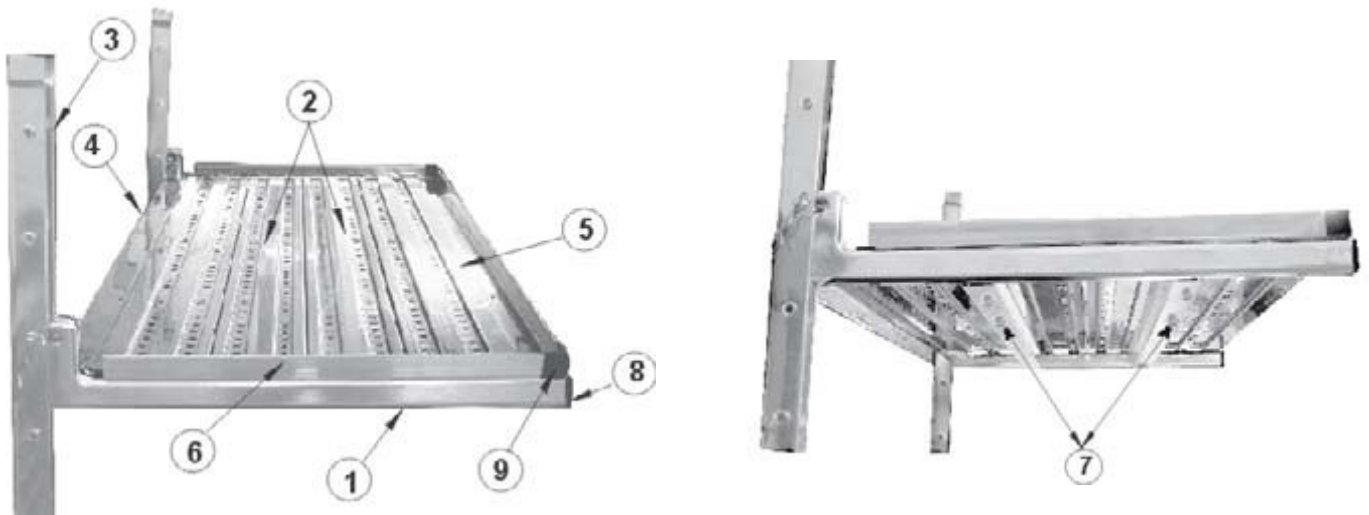
- Reinforcing plates must be applied to the walls of the vehicle in order to fix the vertical pillar L=500.
- The modules are composed of elements in stainless steel sheet with holes, fastened with rivets to the supporting folding arms and to two reinforcing crossbars.
- After having assembled the shelves, proceed to fix the protective rubber inserts.



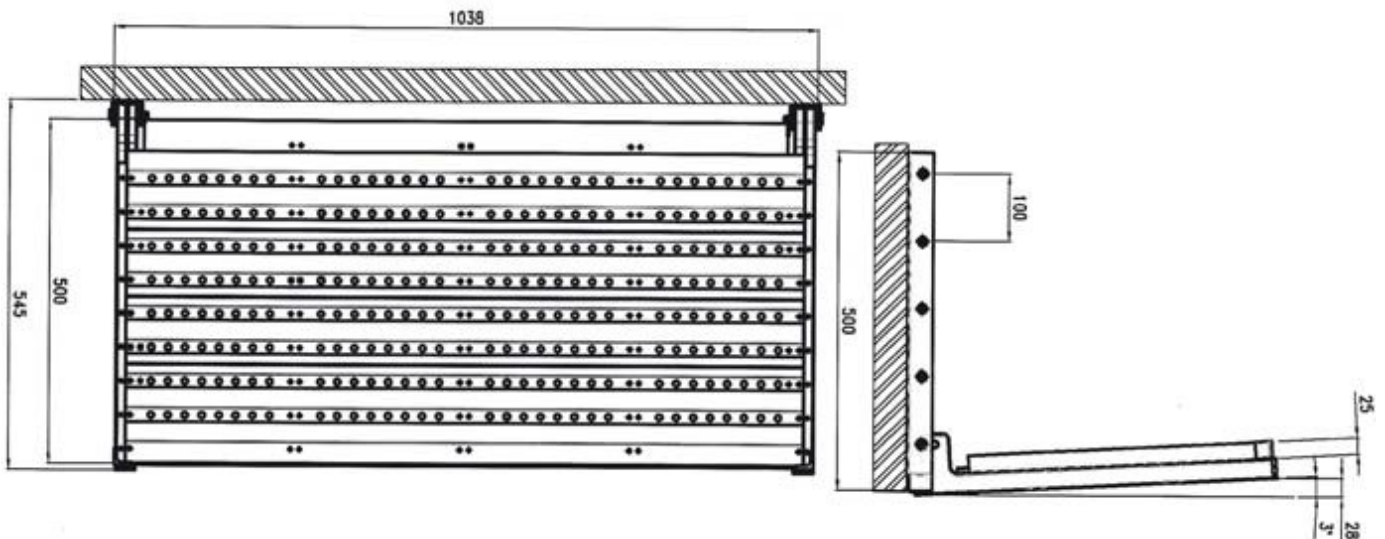
**STAINLESS STEEL FOLDING SHELF
MODULE 1000x500 (EFFECTIVE SURFACE)**

Item codes:

	ITEM NO.	DESCRIPTION	WEIGHT G.
1	0727 26346	SUPPORTING ARMS	1160
2	0727 26347	SS.CENTRAL HORIZ. ELEMENT	780
3	0727 26348B	SS VERTICAL PILLAR L.500 WITH PIN	1200
4	0727 26349	SS REAR ELEMENT	1300
5	0727 26350	SS FRONT ELEMENT	1300
6	0727 26351	SS SHIM	150
7	0727 26652	SS REINFORCEMENT	820
8	0727 26353	SQUARE BLACK CAP 30X30	9
9	0727 26489	ANGULAR PROTECTION BLACK	5



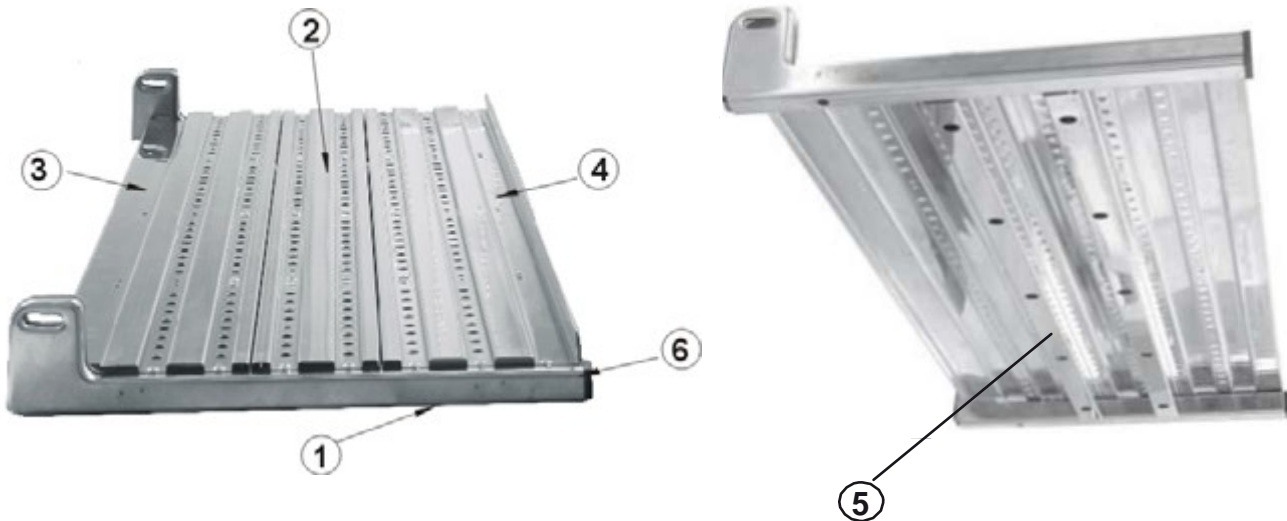
module 1000x500 mm



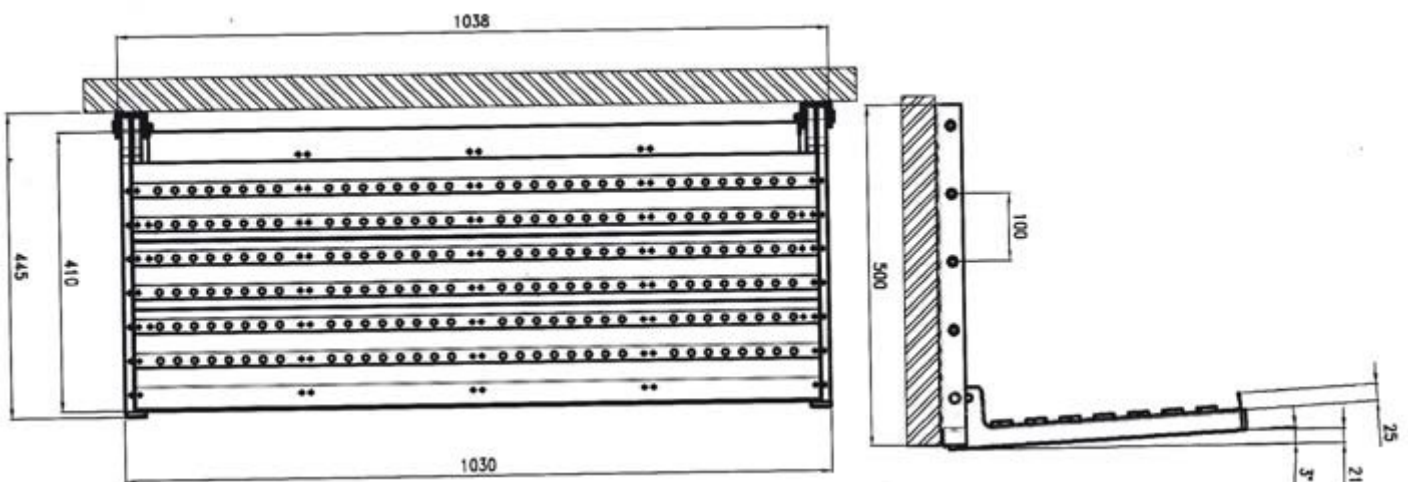
STAINLESS STEEL FOLDING SHELF MODULE 1000X400 (EFFECTIVE SURFACE)

Item codes:

	ITEM NO.	DESCRIPTION	WEIGHT in g
1	0727 26797	SUPPORTING ARMS	1160
2	0727 26347	SSCENTRAL HORIZ. ELEMENT	780
3	0727 26349	SS REAR ELEMENT	1300
4	0727 26350	SS FRONT ELEMENT	1300
5	0727 26652	SS REINFORCEMENT	820
6	0727 26353	SQUARE BLACK CAP 30X30	9



module 1000 x 400 mm





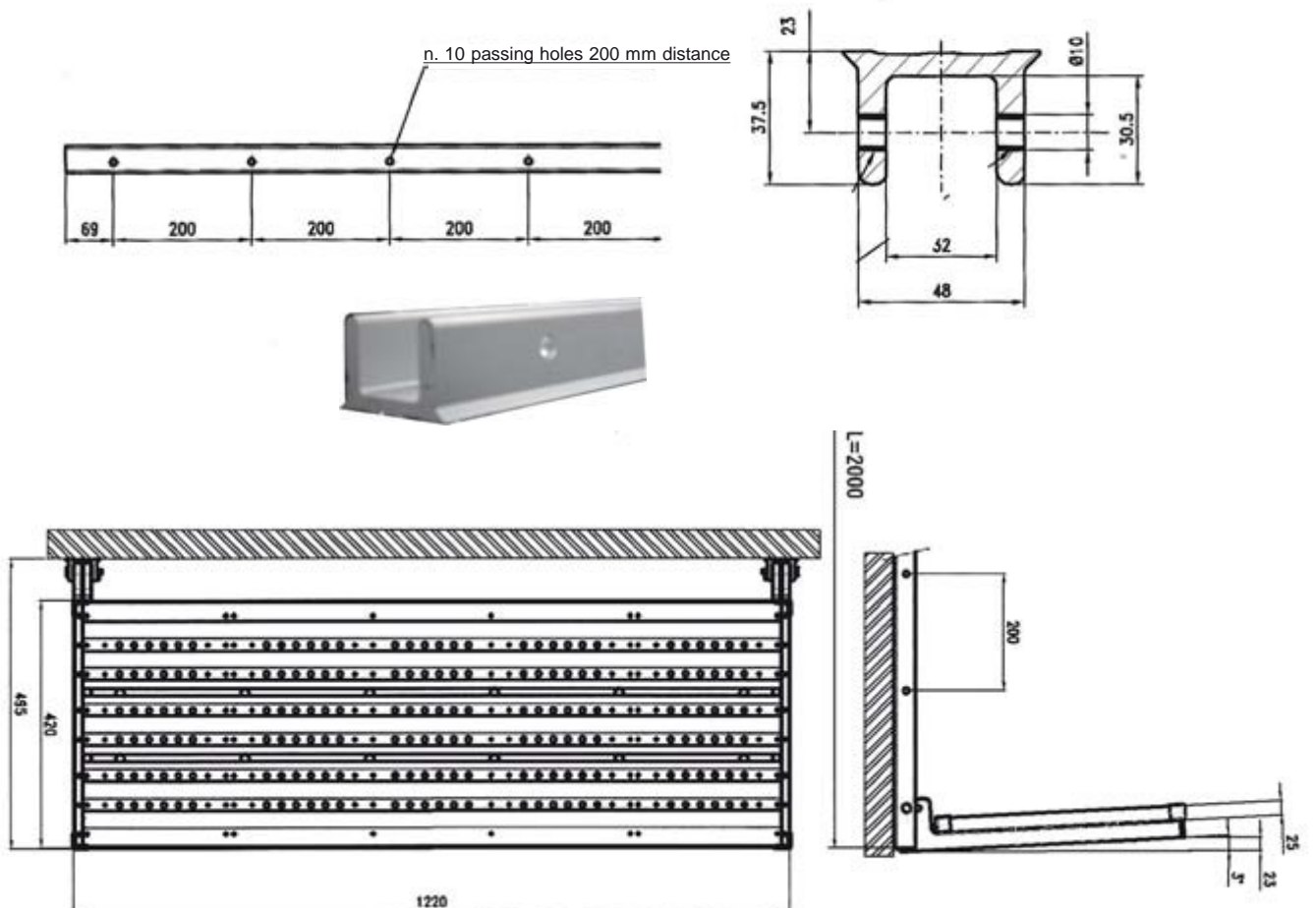
**STAINLESS STEEL FOLDING SHELF
MODULO 1220X420 (EFFECTIVE SURFACE)**

ITEM N. 075026600 (ASSEMBLED MODULE, WITH PINS)



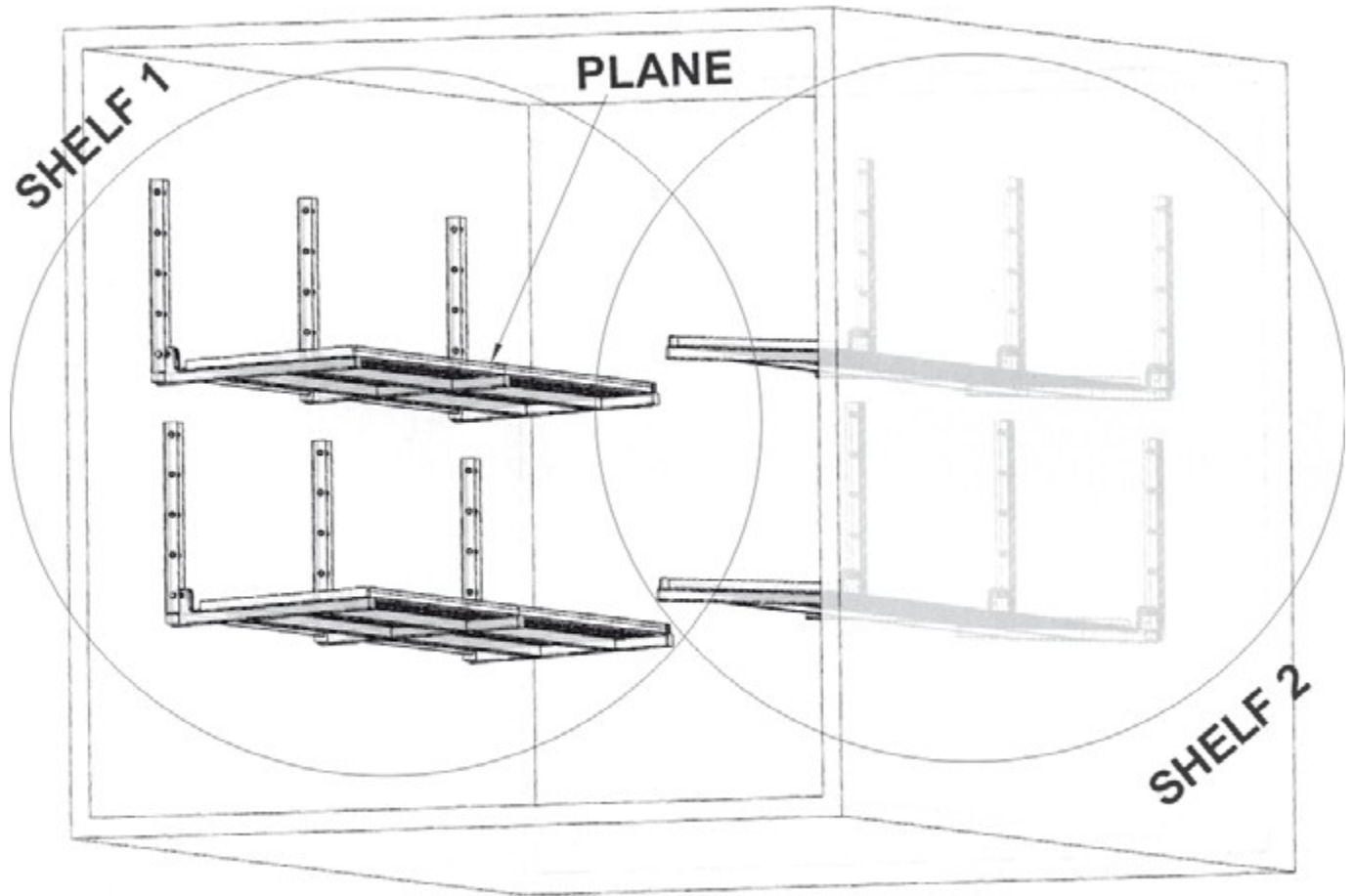
module 1220 x 420 mm

ALUMINIUM PILLAR WITH BUSHES L=2000 ITEM N. 0727 26728



STAINLESS STEEL FOLDING SHELF

Necessary information to define the quantity of components (pls. see the attached schedule):



SHELF 1	SHELF 2
---------	---------

NUMBER OF PLANES		NUMBER OF PLANES	
LENGHT OF THE PLANES		LENGHT OF THE PLANES	